

- Up to 24" Pipe Size
- Zirconium Ceramic Rotor | Bushings
- Accuracy $\pm 0.5\%$ of Full Scale
- Retrofits Into Signet® Type Fittings



SERIES : TIR



On Paddle Assembly*

Features

- Excellent Chemical Resistance
- 4-20mA + Relay Output
- Size Range ½ - 24"
- Easy To Install
- Quick Disconnect DIN Connection
- High Accuracy | $\pm 0.5\%$ of Full Scale
- Tefzel® Paddle
- NEMA 4X Rating
- Zirconium Ceramic Shaft & Bearings
- Excellent Double O-Ring Seal High
- Pressure Rating | Up to 200 psi
- Retrofits into Signet® Type Fitting

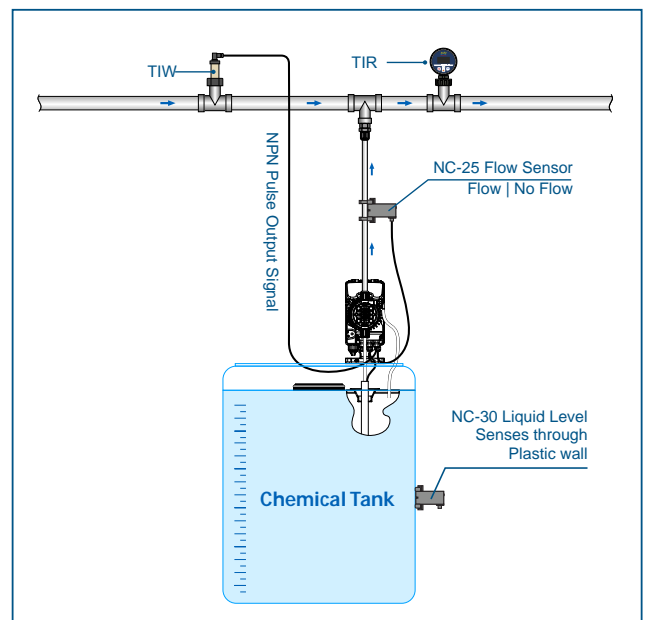
Applications

- Water Usage
- Waste Treatment
- Chemical Addition
- Water Recycling
- Scrubber | Gas Stacks
- Process Measurement

Simple to install with time-honored reliable performance, Truflo TIR Series Paddle wheel Flow Sensors are highly repeatable, rugged sensors that offer exceptional value with little or no maintenance. The TIR Series has a process-ready open collector signal with a wide dynamic flow range of 0.1 to 10 m/s (0.3 to 33ft/s). The sensor measures liquid flow rates in full pipes and can be used in low pressure systems.

The TIR Series sensors are offered in a variety of materials for a wide range of pipe sizes and insertion configurations. The many material choices including PVC, PP and PVDF make this model highly versatile and chemically compatible to many liquid process solutions.

Sensors can be installed in ½ to 24" pipes using Truflo's comprehensive line of custom fittings.



Specifications

General		
Operating Range	0.3 to 33 ft/s	0.1 to 10 m/s
Pipe Size Range	½ to 24"	DN15 to DN600
Linearity	±0.5% of F.S @ 25 °C (77 °F)	
Repeatability	±0.5% of F.S @ 25 °C (77 °F)	
Min. Reynolds Number Required	4500	
Wetted Materials		
Sensor Body	PVC PP PVDF	
O-rings	FKM EPDM	
Rotor Pin & Bushings	Zirconium Ceramic	
Rotor	ETFE TEFZEL®	
Electrical		
Supply Voltage	9 - 24 VDC	
Max. Temperature/Pressure Rating - Standard and Integral Sensor		
PVC	180 psi @ 68 °F	12.5 bar @ 20 °C
	25 psi @ 140 °F	1.7 bar @ 60 °C
PP	180 psi @ 68 °F	12.5 bar @ 20 °C
	25 psi @ 180 °F	1.7 bar @ 85 °C
PVDF	200 psi @ 68 °F	14 bar @ 20 °C
	25 psi @ 240 °F	1.7 bar @ 60 °C
Operating Temperature		
PVC	32 °F to 140 °F	0 °C to 60 °C
PP	4 °F to 185 °F	-20 °C to 85 °C
PVDF	-40 °F to 240 °F	-40 °C to 120 °C

Standards and Approvals

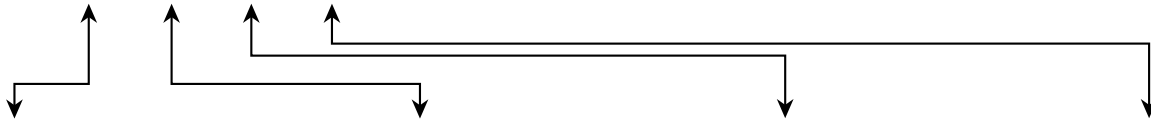
CE, FCC,

RoHS compliant,

Manufactured under ISO 9001 for Quality and ISO 14001 for Environmental Management and OHSAS 18001 for Occupational Health and Safety

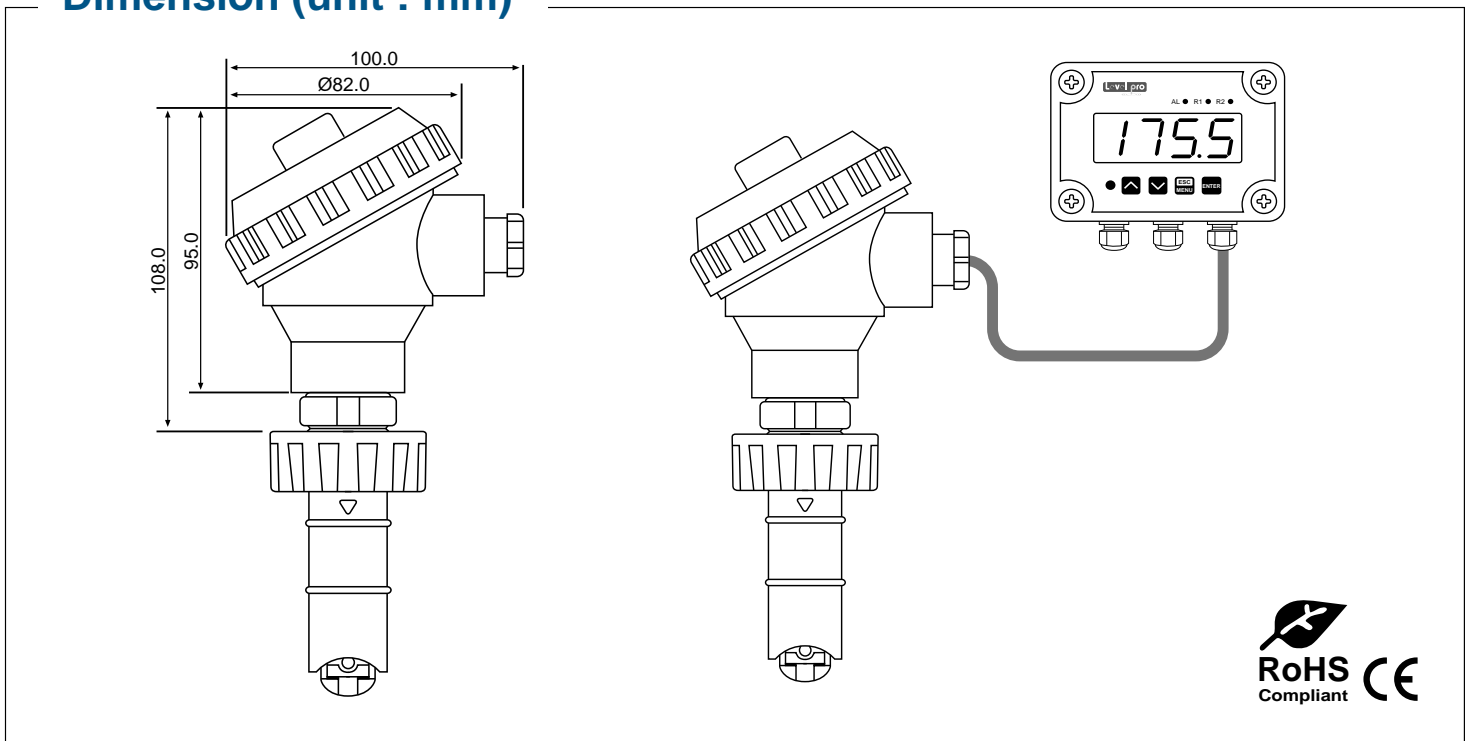
See Temperature and Pressure Graphs for more information

TIB - PF - RS - S - E



Material of Inserting Tube	Signal Output Option	Function Option	Seals
PV = PVC PP = PP PF = PVDF	RS = MODBUS RTU Transmitter (4 ~ 20mA) (STD)	S = (1"~ 4") Pipe L = (6"~ 24") Pipe	FKM (Std) E=EPDM

Dimension (unit : mm)



Temperature | Pressure Graphs

Note:

The pressure/temperature graphs are specifically for the Truflo Flow sensors. During system design the specifications of all components must be considered.

Ordering Notes

1) Most common part number combinations shown. For all other combinations contact factory.

